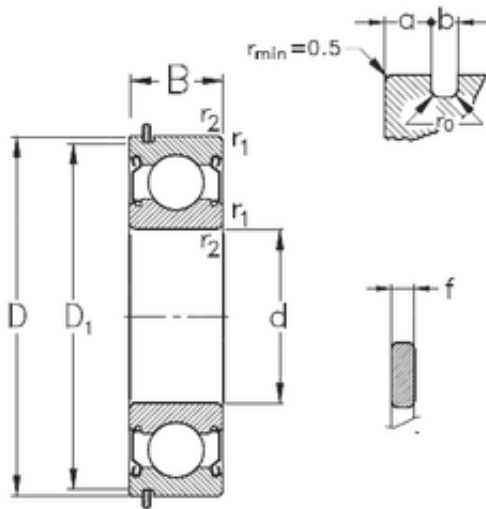




## Dacheng mechanical equipment manufact...



120 mm x 180 mm x 28 mm NKE 6024-2Z-NR  
deep groove ball bearings

Bearing No. 6024-2Z-NR

Size	120x180x28 mm
Bore Diameter	120 mm
Outer Diameter	180 mm
Width	28 mm
d	120 mm
D	180 mm
B	28 mm
C	28 mm
a	5,69 mm
b	3,5 mm
f	3,1 mm
r1 min.	2 mm
r2 min.	2 mm
D1	173,66 mm
D2	192,9 mm
Weight	2,11 Kg
Basic dynamic load rating (C)	88 kN
Basic static load rating (C0)	80 kN

6024-2Z-NR Bearing 2D drawings and 3D CAD models