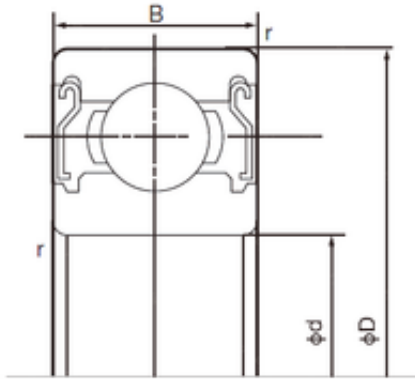




Dacheng mechanical equipment manufact...

50 mm x 72 mm x 12 mm NACHI 6910ZZE deep groove ball bearings



Bearing No. 6910ZZE

6910ZZE Bearing 2D drawings and 3D CAD models

Size	50x72x12 mm
Bore Diameter	50 mm
Outer Diameter	72 mm
Width	12 mm
d	50 mm
D	72 mm
B	12 mm
C	12 mm
r min.	0.6 mm
da min.	54 mm
Da max.	68 mm
ra max.	0.6 mm
Weight	0.125 Kg
Basic dynamic load rating (C)	14,5 kN
Basic static load rating (C0)	11,7 kN
Category	Single Row Ball Bearings
Inventory	0.0
Manufacturer Name	NACHI
Minimum Buy Quantity	N/A
Weight / Kilogram	0.127
Product Group	B00308
Enclosure	2 Metal Shields
Precision Class	ABEC 1 ISO P0
Maximum Capacity / Filling Slot	No



Dacheng mechanical equipment manufact...

Rolling Element	Ball Bearing
Snap Ring	No
Internal Special Features	No
Cage Material	Steel
Internal Clearance	C0-Medium
Inch - Metric	Metric
Long Description	50MM Bore; 72MM Outside Diameter; 12MM Outer Race Width; 2 Metal Shields; Ball Bearing; ABEC 1 ISO P0; No Filling Slot; No Snap Ring; No Internal Special Features; C0-Medium Internal Clearance; Stee
Other Features	Deep Groove
Category	Single Row Ball Bearing
UNSPSC	31171504
Harmonized Tariff Code	8482.10.50.68
Noun	Bearing
Keyword String	Ball
Manufacturer URL	http://www.nachiamerica.com
Outer Race Width	0.472 Inch 12 Millimeter
Outside Diameter	2.835 Inch 72 Millimeter
Inner Race Width	0 Inch 0 Millimeter
Bore	1.969 Inch 50 Millimeter
Bore Type	Cylindrical Bore
Configuration	Single Row
Bore Size	50 mm
Width	12 mm
Fillet Radius/Chamfer	0.6 mm
Dynamic Load Rating	14,500 N
Static Load Rating	11,700 N
Limiting Speed - Grease	9,500 rpm



Dacheng mechanical equipment manufact...

Factor fo	16.1
Radial Clearance	0.006 to 0.023 mm
da (min)	54 mm
Da (max)	68 mm
ra (max)	0.6 mm