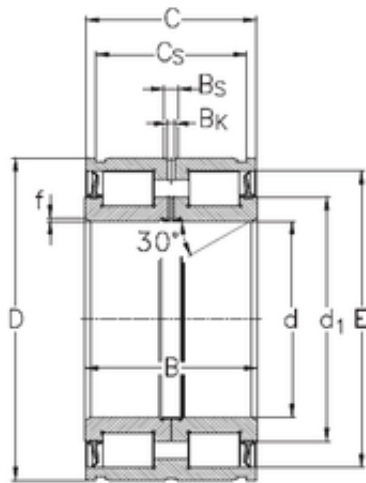




Dacheng mechanical equipment manufact...



25 mm x 47 mm x 30 mm NKE NNF5005-2LS-V cylindrical roller bearings

Bearing No. NNF5005-2LS-V

Size	25x40.4x30 mm
Bore Diameter	25 mm
Outer Diameter	40,4 mm
Width	30 mm
d	25 mm
D	47 mm
E	40,4 mm
B	30 mm
C	29 mm
b	1,8 mm
b1	2,15 mm
d1	33 mm
f	0,5 mm
r3 min.	0,3 mm
r4 min.	0,3 mm
D1	44,8 mm
Weight	0,23 Kg
Basic dynamic load rating (C)	43,3 kN
Basic static load rating (C0)	59 kN

NNF5005-2LS-V Bearing 2D drawings and 3D CAD models