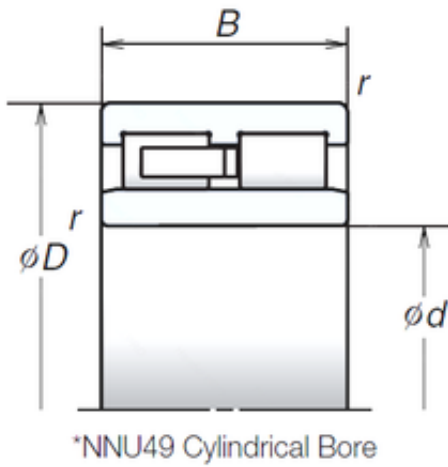




Dacheng mechanical equipment manufact...



150 mm x 210 mm x 60 mm NSK NNU4930MB
cylindrical roller bearings

Bearing No. NNU4930MB

Size	150x210x60 mm
Bore Diameter	150 mm
Outer Diameter	210 mm
Width	60 mm
d	150 mm
F	167 mm
D	210 mm
B	60 mm
C	60 mm
r min.	2 mm
Weight	6,39 Kg
Basic dynamic load rating (C)	350 kN
Basic static load rating (C0)	715 kN
(Grease) Lubrication Speed	4 200 r/min

NNU4930MB Bearing 2D drawings and 3D CAD models