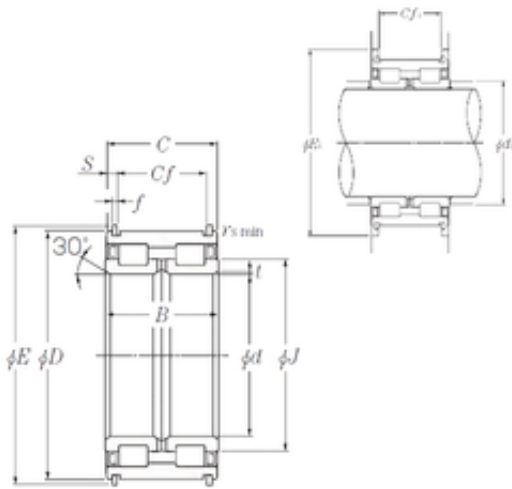




Dacheng mechanical equipment manufact...

260 mm x 400 mm x 190 mm NTN SL04-5052NR cylindrical roller bearings

Bearing No. SL04-5052NR



SL04-5052NR Bearing 2D drawings and 3D CAD models

| | |
|-------------------------------|----------------|
| Size | 260x400x190 mm |
| Bore Diameter | 260 mm |
| Outer Diameter | 400 mm |
| Width | 190 mm |
| d | 260 mm |
| D | 400 mm |
| B | 190 mm |
| C | 189 mm |
| E1 | 445 mm |
| t | 3 mm |
| f | 7 mm |
| r min. | 1,5 mm |
| E | 417 mm |
| J | 310 mm |
| S | 17,5 mm |
| da | 270 mm |
| Cf | 154 mm |
| Cf1 | 154 mm |
| Weight | 90,7 Kg |
| Basic dynamic load rating (C) | 1 950 kN |
| Basic static load rating (C0) | 4 200 kN |