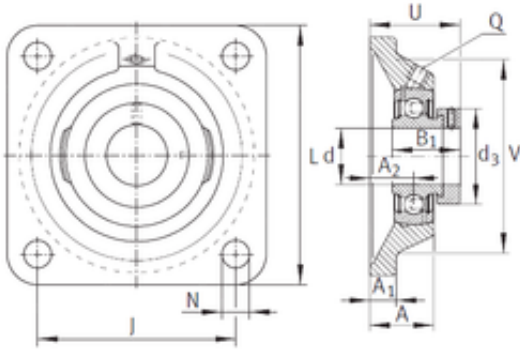




INA PCJ2-3/16 bearing units



Bearing No. PCJ2-3/16

Bore Diameter	55,563 mm
d	55,563 mm
V	137,008 mm
U	67,488 mm
Thread (Q)	1/8 NPT
d3	75,997 mm
A	46,99 mm
A1	16,993 mm
B	48,489 mm
J	129,997 mm
L	162,509 mm
N	16,993 mm
A2	31,013 mm
Category	Bearings
Inventory	0.0
Manufacturer Name	SCHAEFFLER GROUP
Minimum Buy Quantity	N/A
Weight / Kilogram	0
EAN	4012802096712
Product Group	M06110

PCJ2-3/16 Bearing 2D drawings and 3D CAD models