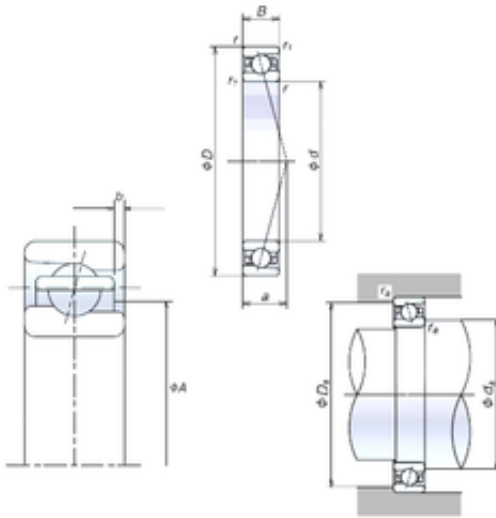




Dacheng mechanical equipment manufact...



85BNR10X Bearing 2D drawings and 3D CAD models

85 mm x 130 mm x 22 mm NSK 85BNR10X
angular contact ball bearings

Bearing No. 85BNR10X

Size	85x130x22 mm
Bore Diameter	85 mm
Outer Diameter	130 mm
Width	22 mm
d	85 mm
D	130 mm
B	22 mm
C	22 mm
Angle (°)	18 °
a	28,4 mm
b	1,7 mm
r min.	1,1 mm
r1 min.	0,6 mm
A	102 mm
da min.	92 mm
Da max.	123 mm
ra max.	1 mm
Weight	0,906 Kg
Basic dynamic load rating (C)	26,8 kN
Basic static load rating (C0)	25,7 kN
(Grease) Lubrication Speed	19600 r/min